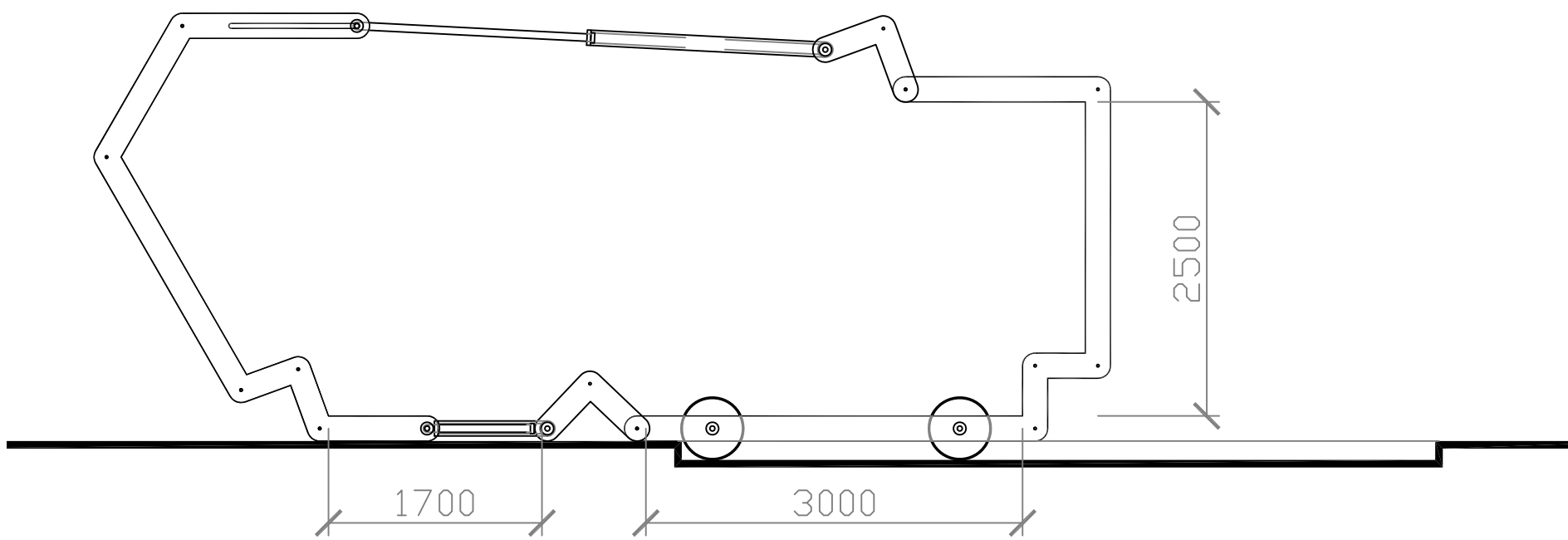


The Shape

On the left you see the section of the structure and it shows you the shape of the whole object. As told the left part of the structure can be stretched and therefore the whole space can get bigger and smaller. Each Section is made out of several layers to have this possibility to change the shape of the structure. This moving structure result in different joints for the corners of the whole shape. As shown in the details 1 to 5, these will be explained later on. To change the shape you need a force, because of the weight of the whole structure the blocks are mechanically adjustable, this is done by hydraulic pumps. As well as the corners the hydraulic pumps need a connection with the structure as well.



The Structure

In the image at the bottom you see an unfolded drawing of the structure. It shows how the sections are connected in the horizontal way. The shape exists out of 6 parts, these parts exists out of 1, 2 or 3 layers. In the middle you see the left side of the structure made out of two layers, these two layers are on both sides connected to the hydraulic pumps and these exist out of one layer. The hydraulic pumps are connected with the 2 layers triangle shaped frames, which forms a transition to the fixed part on the right side. The fixed part is made out of 3 layers to give it more stability. To construct the model you just need to connect the holes in the frames with each other. You only need to make sure that they are in the right order and the rest will follow.

